

PLEASE CHECK WWW.MOLEX.COM FOR LATEST PART INFORMATION

Part Number: [0533072671](#)
Status: **Active**
Description: 0.80mm (.031") Pitch Header, Surface Mount, Dual Row, Vertical Stacking, 4.50 and 5.50mm (.177 and .217") Stacking Heights, Lead-free, 26 Circuits

Documents:

[3D Model](#) [Product Specification PS-52465-015 \(PDF\)](#)
[Drawing \(PDF\)](#) [RoHS Certificate of Compliance \(PDF\)](#)

General

Product Family PCB Headers
 Series [53307](#)
 Application Board-to-Board
 Product Name N/A

Physical

Breakaway No
 Circuits (Loaded) 26
 Circuits (maximum) 26
 Color - Resin Natural
 First Mate / Last Break No
 Glow-Wire Compliant No
 Guide to Mating Part No
 Keying to Mating Part None
 Lock to Mating Part None
 Mated Height (in) 0.177 In, 0.217 In
 Mated Height (mm) 4.50 mm, 5.50 mm
 Material - Metal Phosphor Bronze
 Material - Plating Mating Tin
 Material - Plating Termination Tin
 Material - Resin High Temperature Thermoplastic
 Number of Rows 2
 Orientation Vertical
 PCB Locator No
 PCB Retention None
 Packaging Type Embossed Tape on Reel
 Pitch - Mating Interface (in) 0.031 In
 Pitch - Mating Interface (mm) 0.80 mm
 Plating min: Mating (µin) 120
 Plating min: Mating (µm) 3
 Plating min: Termination (µin) 120
 Plating min: Termination (µm) 3
 Polarized to PCB No
 Shrouded Fully
 Stackable No
 Temperature Range - Operating -20°C to +105°C
 Termination Interface: Style Surface Mount

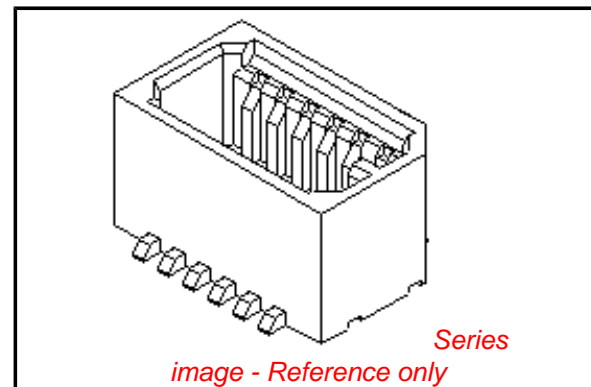
Electrical

Current - Maximum per Contact 0.5A
 Voltage - Maximum 50V

Material Info

Reference - Drawing Numbers

[Packaging Specification](#) SPK-53307-001
[Product Specification](#) PS-52465-015, RPS-52465-042, RPS-52465-052



EU RoHS

ELV and RoHS Compliant
REACH SVHC Contains SVHC: No
Halogen-Free Status
Not Reviewed

China RoHS



Need more information on product environmental compliance?

Email productcompliance@molex.com
 For a multiple part number RoHS Certificate of Compliance, [click here](#)

Please visit the [Contact Us](#) section for any non-product compliance questions.

Search Parts in this Series

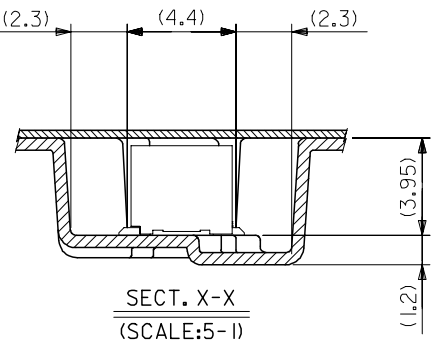
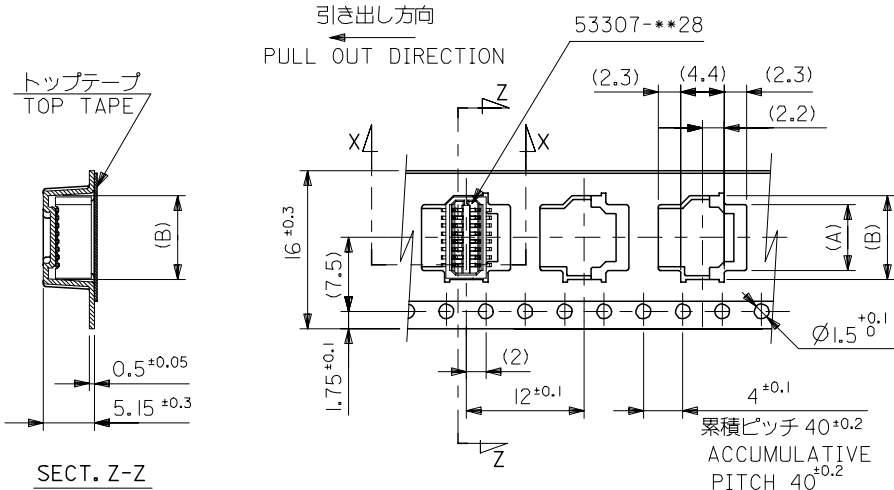
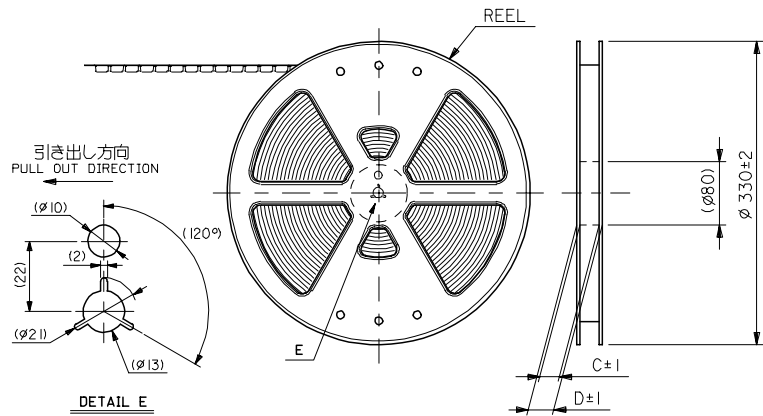
[53307Series](#)

Mates With

Board-to-Board Receptacle [52465](#) , [52588](#)

This document was generated on 06/07/2010

PLEASE CHECK WWW.MOLEX.COM FOR LATEST PART INFORMATION



注記 NOTES

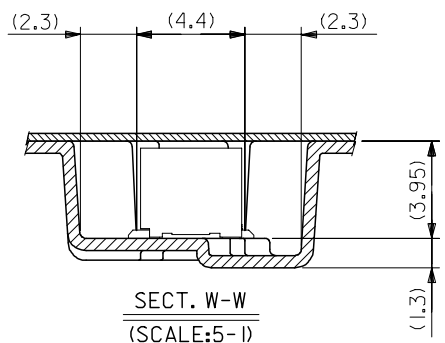
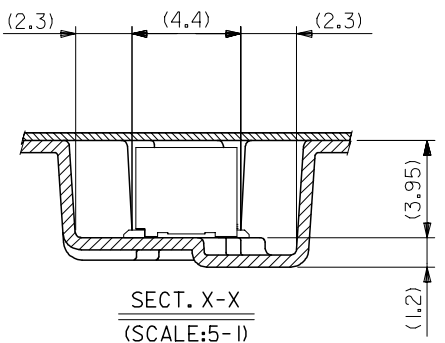
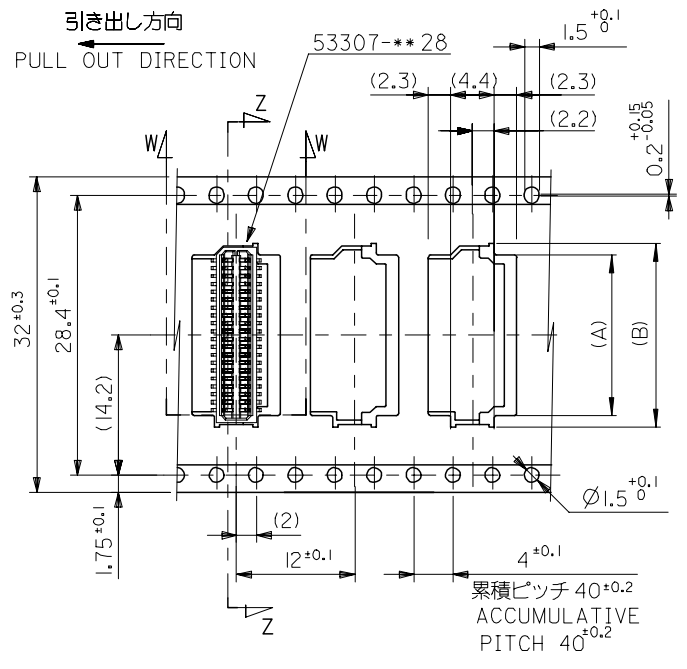
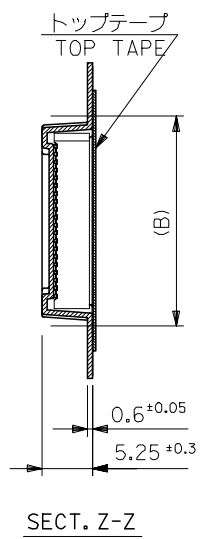
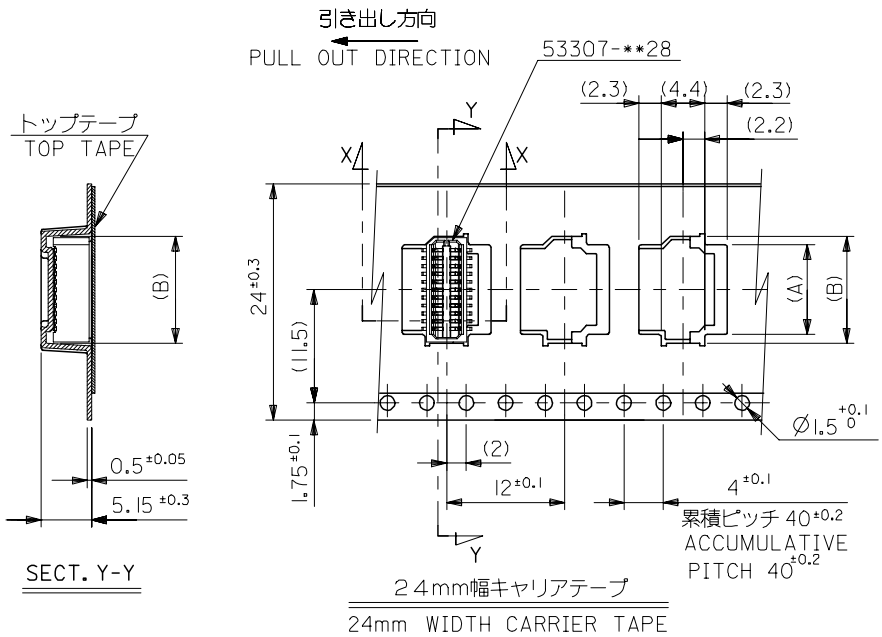
1. 梱包数量：1000個/リール NUMBER OF CONNECTORS:1000PCS/REEL
2. リードテープ長さ LEAD TAPE LENGTH
 トップテープ リーダー部 TOP TAPE LEADER PART (175 ±25)
 トップテープ 未接着部 TOP TAPE NON-BONDED PART (25 ±5)
3. トップテープの剥離強度：(剥離方向は下図参照)
 0.1N~1.3N {10gf~130gf} 尚、本規格値は、出荷時に適用。
 (但し、輸送時に剥離が発生しない事。)
 PEELING OFF FORCE OF TOP TAPE
 0.1N~1.3N{10gf~130gf} (PEELING DIRECTION AS SHOWN IN FOLLOWING FIG.)
 THIS REQUIREMENT SHOULD BE APPLIED AT SHIPMENT
 PEEL OFF SHOULD NOT BE ALLOWED, DURING TRANSPORTATION
4. 材料
 キャリアテープ：ポリプロピレン (PP) MATERIAL CARRIER TAPE:POLYPROPYLENE
 トップテープ：PET, PE, PEF TAPE:PET,PE,PEF
 リール：ポリスチレン (PS) REEL:POLYSTYRENE(PS)
 <リサイクル材を含む> <RECYCLE MATERIAL CONTAINED>
5. 本製品は 53307-***91 の鉛フリー品である。
 THIS PRODUCT IS LEAD FREE OF 53307-***91

16	21.4	17.4	9.3	7.5	53307-1871	18
			8.5	6.7	53307-1671	16
			7.7	5.9	53307-1471	14
			6.9	5.1	53307-1271	12
			6.1	4.3	53307-1071	10

53307-***71	キャリアテープ幅	D	C	(B)	(A)	MATERIAL. NO.	極数
MODEL. NO.	CARRIER TAPE WIDTH						CIRCUIT

REVISED EC NO: J2006-0187 DRWN: OTANI CHKD: NUKITA APPR: NUKITA	DESCRIPTION 2005/08/01 2005/08/02 2005/08/18	GENERAL TOLERANCES (UNLESS SPECIFIED)		DIMENSION STYLE MM ONLY		SCALE ---	DESIGN UNITS METRIC	THIRD ANGLE PROJECTION		
		10 UNDER	±0.2	DRAWN BY	DATE	TITLE				
		10 OVER 30 UNDER	±0.25	HSHIMABUKURO	2004/02/09	0.8 B-TO-B WAFER ASSY SMT EMBSTP PKG -LEAD FREE-				
		30 OVER	±0.3	KTOJO	2004/02/09	MOLEX INCORPORATED				
		ANGULAR	±3 °	APPROVED BY	DATE	MATERIAL NO.	DOCUMENT NO.	SHEET NO.		
DRAFT WHERE APPLICABLE MUST REMAIN WITHIN DIMENSIONS		SEE CHART		SD-53307-014		1 OF 2				
THIS DRAWING CONTAINS INFORMATION THAT IS PROPRIETARY TO MOLEX INCORPORATED AND SHOULD NOT BE USED WITHOUT WRITTEN PERMISSION										

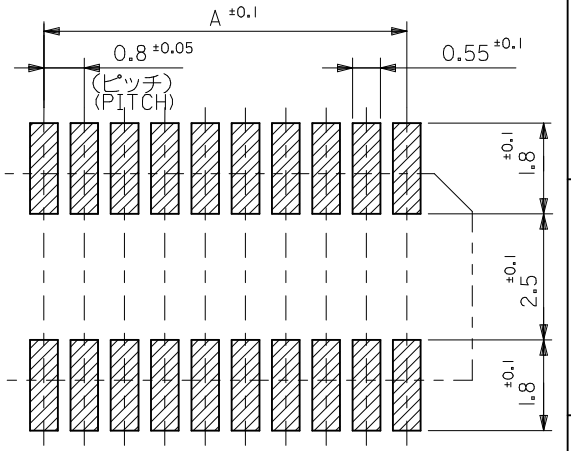
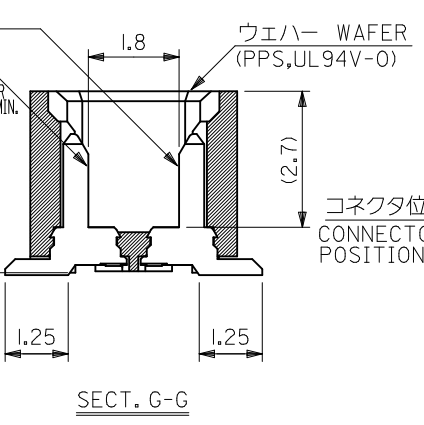
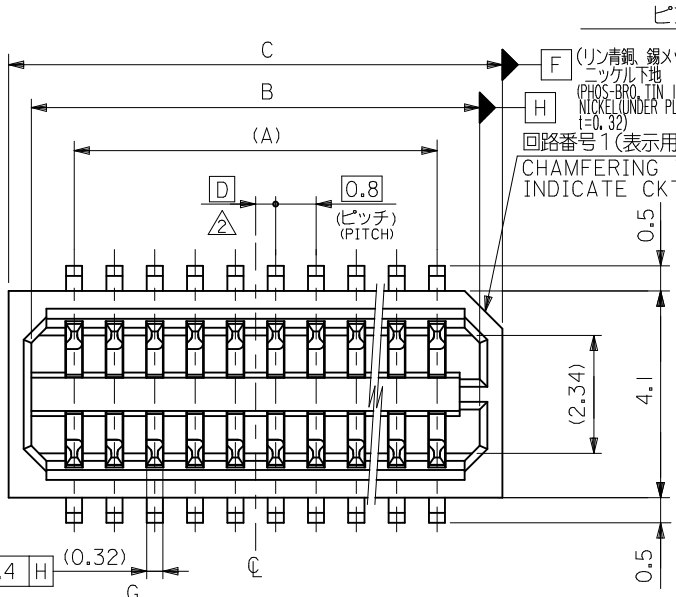
10 9 8 7 6 5 4 3 2 1



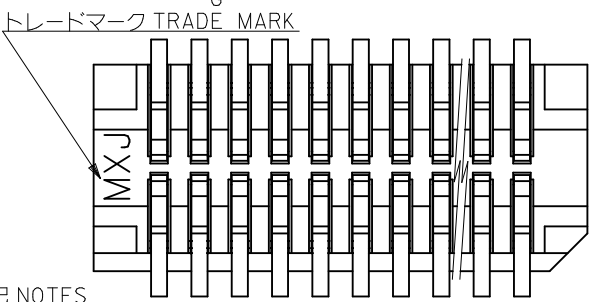
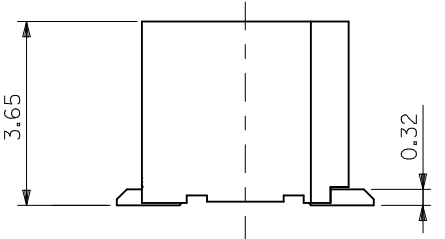
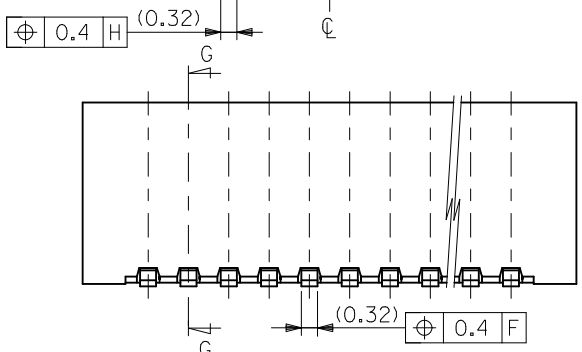
32	37.4	33.4	18.1	16.3	53307-4071	40
24	29.4	25.4	16.5	14.7	53307-3671	36
			15.7	13.9	53307-3471	34
			14.1	12.3	53307-3071	30
			13.3	11.5	53307-2871	28
			12.5	10.7	53307-2671	26
			11.7	9.9	53307-2471	24
			10.9	9.1	53307-2271	22
			10.1	8.3	53307-2071	20

53307-**-71	キャリアテープ幅	D	C	(B)	(A)	MATERIAL. NO.	極数
MODEL NO.	CARRIER TAPE WIDTH						CIRCUIT

REVISED EC NO: J2006-0187 DRWN: YOTANI CHK: DANUKITA APPR: NUKITA 2005/08/01 2005/08/02 2005/08/18	GENERAL TOLERANCES (UNLESS SPECIFIED)		DIMENSION STYLE MM ONLY		SCALE ---	DESIGN UNITS METRIC	THIRD ANGLE PROJECTION
	10 UNDER	±0.2	DRAWN BY	DATE	TITLE		
	10 OVER 30 UNDER	±0.25	HSHIMABUKURO	2004/02/09	0.8 B-TO-B WAFER ASSY SMT EMBSTP PKG -LEAD FREE-		
	30 OVER	±0.3	CHECKED BY	DATE	MOLEX INCORPORATED		
	ANGULAR	±3 °	KTOJO	2004/02/09	MATERIAL NO.		
DRAFT WHERE APPLICABLE MUST REMAIN WITHIN DIMENSIONS		APPROVED BY		DATE	DOCUMENT NO.		SHEET NO.
		MSASAO		2004/02/09	SD-53307-014		2 OF 2
		SIZE		THIS DRAWING CONTAINS INFORMATION THAT IS PROPRIETARY TO MOLEX INCORPORATED AND SHOULD NOT BE USED WITHOUT WRITTEN PERMISSION			
		A3					



参考基板レイアウト (マウント面)
P.C.B. PATTERN LAYOUT (REF.) (MOUNT AREA)



注記 NOTES

- 1 嵌合相手: 52465,52588
MATE WITH: 52465,52588 SERIES
- 2 Δ ウエハの ϕ から隣接するピンの ϕ 迄の位置を示す。
SHOW POSITION FROM ϕ OF WAFER TO ϕ OF ADJACENT PINS.
- 3 本製品は 53307-**-27 の鉛フリー品である。
THIS PRODUCT IS LEAD FREE OF 53307-**-27

0.4	17.8	16.9	15.2	53307-4028	40
0.8	17.0	16.1	14.4	-3828	38
0.4	16.2	15.3	13.6	-3628	36
0.8	15.4	14.5	12.8	-3428	34
0.4	14.6	13.7	12.0	-3228	32
0.8	13.8	12.9	11.2	-3028	30
0.4	13.0	12.1	10.4	-2828	28
0.8	12.2	11.3	9.6	-2628	26
0.4	11.4	10.5	8.8	-2428	24
0.8	10.6	9.7	8.0	-2228	22
0.4	9.8	8.9	7.2	-2028	20
0.8	9.0	8.1	6.4	-1828	18
0.4	8.2	7.3	5.6	-1628	16
0.8	7.4	6.5	4.8	-1428	14
0.4	6.6	5.7	4.0	-1228	12
0.8	5.8	4.9	3.2	53307-1028	10

REVISED		DESCRIPTION		GENERAL TOLERANCES (UNLESS SPECIFIED)		DIMENSION STYLE		SCALE		DESIGN UNITS		MATERIAL NO.		極数 CKT.	
EC NO: J2010-1410		2010/01/12		10 UNDER ±0.2		MM ONLY		---		METRIC		53307-**-28		MODEL NO.	
DRWN: TOSHIMA		2010/01/12		10 OVER 30 UNDER ±0.25		DRAWN BY DATE		TITLE		D		C		B	
CHKD: SMARUYAMA		2010/01/12		30 OVER ±0.3		HSHIMABUKURO 2004/02/09		0.8 B/B CONN WAFER ASSY		A		A		A	
APPR: MSASAO		2010/01/20		ANGULAR ±3 °		CHECKED BY DATE		ST SMT		A		A		A	
REV		REV		DRAFT WHERE APPLICABLE MUST REMAIN WITHIN DIMENSIONS		KTOJO 2004/02/09		-LEAD FREE-		A		A		A	
D		REV				APPROVED BY DATE		MOLEX INCORPORATED		A		A		A	
		REV				MSASAO 2004/02/09		SEE CHART		A		A		A	
		REV				MATERIAL NO.		SD-53307-015		A		A		A	
		REV				SIZE		THIS DRAWING CONTAINS INFORMATION THAT IS PROPRIETARY TO MOLEX INCORPORATED AND SHOULD NOT BE USED WITHOUT WRITTEN PERMISSION		A		A		A	
		REV				A3				A		A		A	

10 9 8 7 6 5 4 3 2 1

F

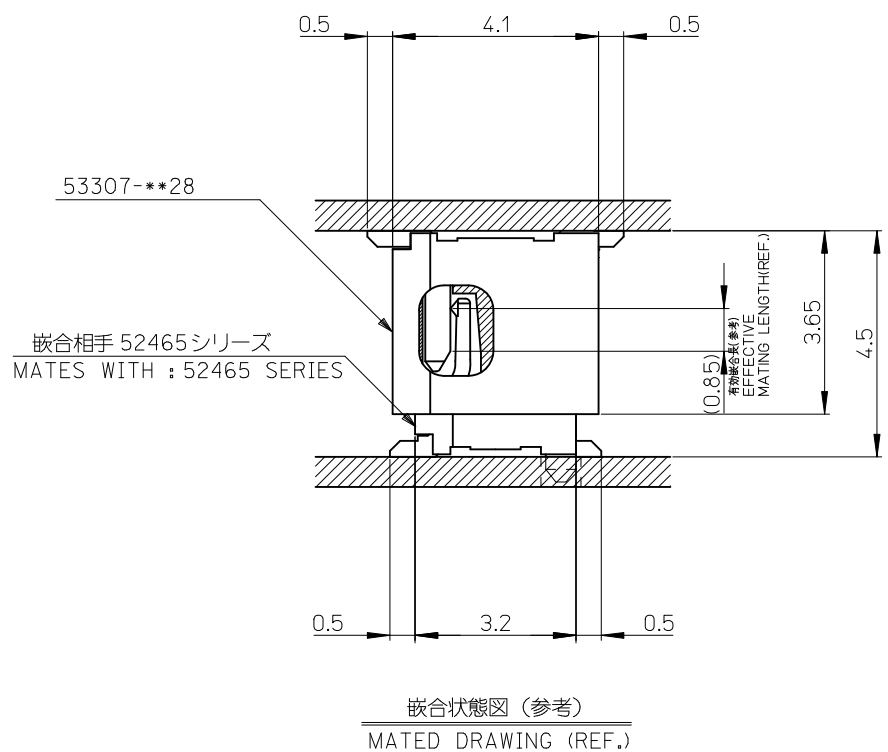
E

D

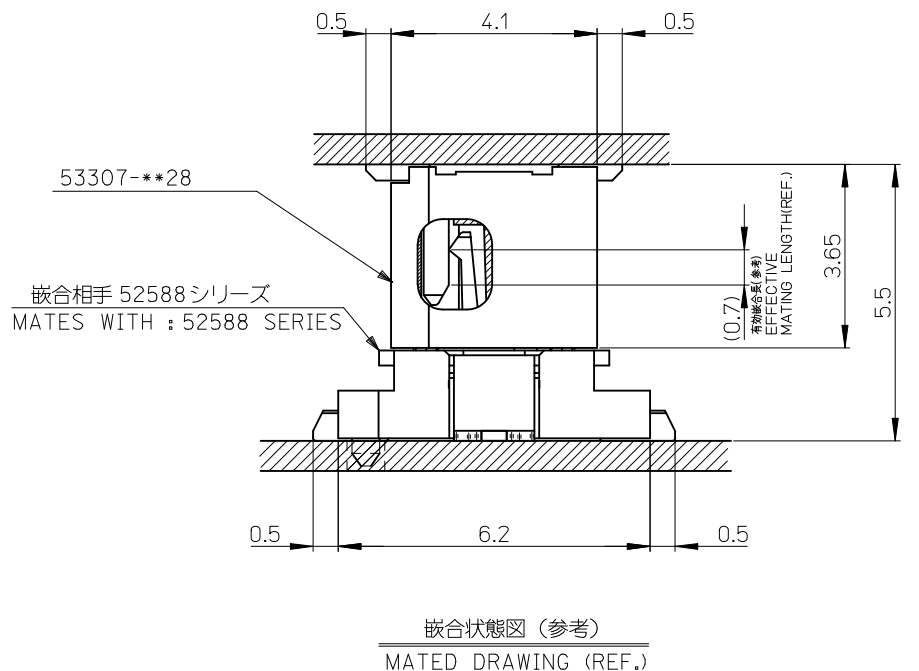
C

B

A



嵌合状態図 (参考)
MATED DRAWING (REF.)



嵌合状態図 (参考)
MATED DRAWING (REF.)

53307-***28 MODEL NO.

REVISED EC NO: J2010-1410 DRWN:TOSHIMA 2010/01/12 CHKD:SMARUYAMA 2010/01/12 APPR:MSASAO 2010/01/20	DESCRIPTION REV	GENERAL TOLERANCES (UNLESS SPECIFIED)		DIMENSION STYLE MM ONLY		SCALE ---	DESIGN UNITS METRIC	THIRD ANGLE PROJECTION	
		10 UNDER	±0.2	DRAWN BY HSHIMABUKURO	DATE 2004/02/09	TITLE 0.8 B/B CONN WAFER ASSY ST SMT -LEAD FREE-			
		10 OVER 30 UNDER	±0.25	CHECKED BY KTOJO	DATE 2004/02/09	APPROVED BY MSASAO 2004/02/09			
		30 OVER	±0.3	APPROVED BY MSASAO 2004/02/09		MATERIAL NO. © SEE CHART		DOCUMENT NO. SD-53307-015	
ANGULAR ±3 °		DRAFT WHERE APPLICABLE MUST REMAIN WITHIN DIMENSIONS		SIZE A3		THIS DRAWING CONTAINS INFORMATION THAT IS PROPRIETARY TO MOLEX INCORPORATED AND SHOULD NOT BE USED WITHOUT WRITTEN PERMISSION			